

WHAT TO DO AFTER RECEIVING THE SPORTS BALL

1. Carefully lay machine down on its back side. Take the 4 speed nut clips (found in plastic bag with the feet glides and keys taped to the front shield) and clip them over holes in the four corners of the base. Screw in the 4 feet glides into the speed nuts on the base of machine. See diagram 1. Carefully raise unit to an upright position
2. Remove protective bubble wrap and blue film masking from the machine.
3. Inspect the machine for any damage that may have occurred during shipping.
4. Remove the back door and peel off the protective film from the mirror.
5. If the machine has light and sound option, plug the power cord into an AC outlet; otherwise, install 8 size D batteries for sound only option. **It is very important that the batteries are installed properly to avoid damage or harm** (see diagram on battery pack). Take note that the unit will always vend even without power. AC operation is required only to power the rope lights. When unit is plugged into AC power for the lights, then the sound AC/DC converter should be used to operate the sound board (units will be delivered with the AC/DC converter plugged in). The battery pack is plugged into the sound board, just install the batteries for non-electrical(AC) operation.
6. Remember the product and the kinetic show of the Sports Ball are entirely separate. The show consists of 60 1430 count jawbreakers in a self contained track system. This allows product of different size and shape to be vended. Caution: certain products require specific dispensing wheels, make sure you have the proper wheel for the desired product before filling machine.
7. To fill the unit, remove the back door and pour 1-2 cases of product onto dispensing floor. Replace back door and continue to fill the unit to desired level through the top of the machine using the gum fill funnel provided with machine.
8. Run several quarters through the coin mechanism to assure the proper function of the sound board (if installed) and adjust volume to desired level. Also check that dispensing wheel is dropping product with each vend.
9. Place machine on location and start making money!

HELPFUL HINTS AND TROUBLE SHOOTING

1. ADJUSTING THE FLASHING ROPE LIGHTS

- a. The controller has 8 different light shows. Press control button to scroll through the light shows until you reach the desired show.

2. TAKING TOP OFF MACHINE

- a. The top globe has six snake eye screws. Two are located in the rear of the machine on the globe surround back. The other four are located on the top of the unit on the globe surround. See diagram 2. After removing screws slowly lift the globe surround up and off the machine. If your machine is equipped with rope lights be sure to unclip the rope light from the retaining clips that are across the top of the unit.

3. REPLACING TOP GLOBE

- a. Once the globe and globe surround are off the machine you need a 7/16" socket or wrench to remove the nuts on the carriage bolts which hold the globe to the globe surround. With the bolts removed the globe surround back and globe surround will separate in two pieces. Remove old globe and place new globe in its place. Replace globe surround and globe surround back around globe and fasten back with carriage bolts. Place the top back on the front shield & pillars and fasten with the six snake eye screws.

4. **REPLACING SHOW BALLS**

- a. After a period of time it may be necessary to replace show balls to keep them in best appearance. Remove back door, remove cover of the show ball collector, remove balls in collector, then block off the return hole in collector, run quarters through

5. **COIN MECHANISM HARD TO TURN**

- a. Remove coin mechanism by removing front door and removing the two 7/16" bolt on the right and left side under mechanism. Mechanism will slide down and out of the machine. Be sure to remove the mechanism carefully to avoid damage to micro switch and wire harness. Run several quarters through the coin mech to check for problems. If the mech is faulty, it will need to be replaced. Order part from O.K. Manufacturing to assure that it will have the correct micro switch. Replace in reverse order.
- b. If coin mechanism is functioning properly, then reach up and turn the dispensing wheel by hand to see if it turns freely. If it is difficult to turn, remove back door, check show lift gear for any binding, if it appears clear, then check dispensing wheel for any possible product jams.

6. **LIGHTS NOT WORKING**

- a. Check power sources: The rope lights are operated with a six outlet power strip. First, check to make sure the plug is plugged in tightly. Then, check that the red on/off switch is in the on position. Press the black button to reset the safety overload circuit breaker switch. Test the outlet strip by plugging in some electrical device that is know to be working.
- b. If rope lights are out, inspect coupler between controller and rope light to ensure pins are connecting properly with wires in rope. If lights are still not working disconnect controller from rope light and test outlet on controller with an electrical tester to see if power is coming through the controller.

7. **NO SOUND**

- a. If sound does not work when the machine is first plugged in, check all connections from speaker to sound board and micro switch on back of mechanism to sound board. If all the connections are good, check volume control switch (a white plastic tube sticking out of cage) turn clockwise to increase volume.

8. **VOLUME TO LOUD**

- a. Volume knob is a white plastic tube sticking through the cage surrounding the sound board. Turn clockwise to increase volume and counterclockwise to decrease volume.

9. **HOW TO EMPTY PRODUCT**

- a. Remove the back door.
- b. Cut the zip-tie holding the gum shield in place.
- c. Remove the wafer head screw, located below the zip-tie.
- d. Slowly lift up the gum shield door. On the left side of the gum shield there is a square hole cut where the product can fall through. Be sure to have a box or container available under the square hole to catch the falling product.

ANY ADDITIONAL PROBLEMS OR CONCERNS, CALL O.K. MANUFACTURING AT 1-800-748-5480. ASK FOR SERVICE TECHNICIAN

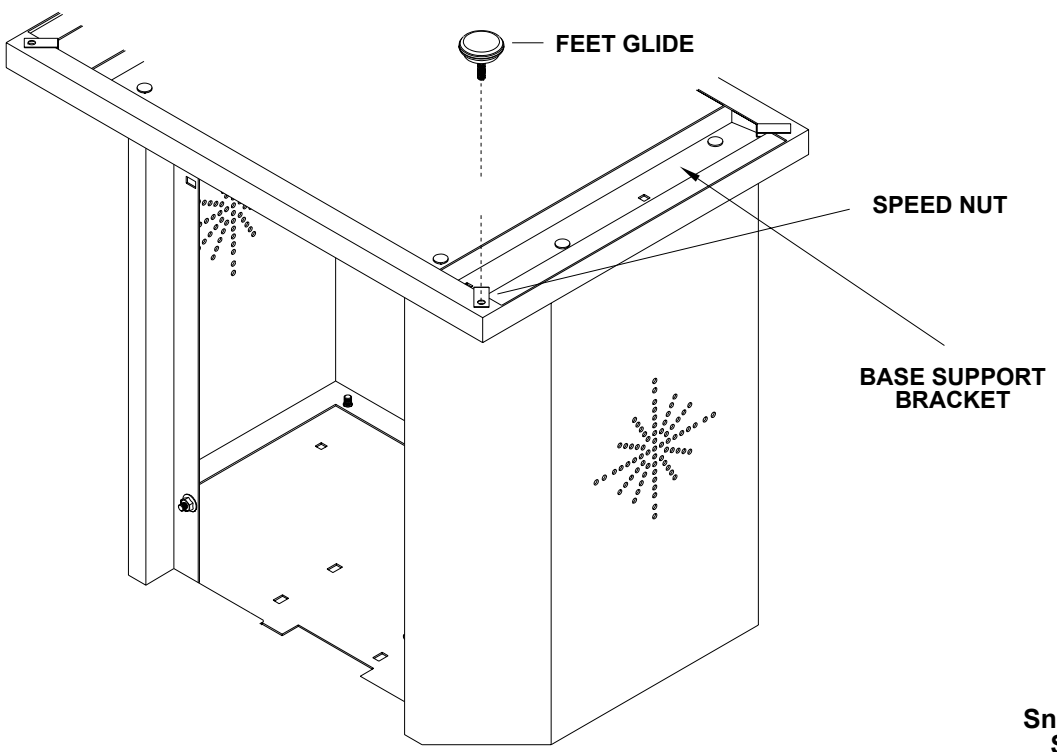


Diagram 1

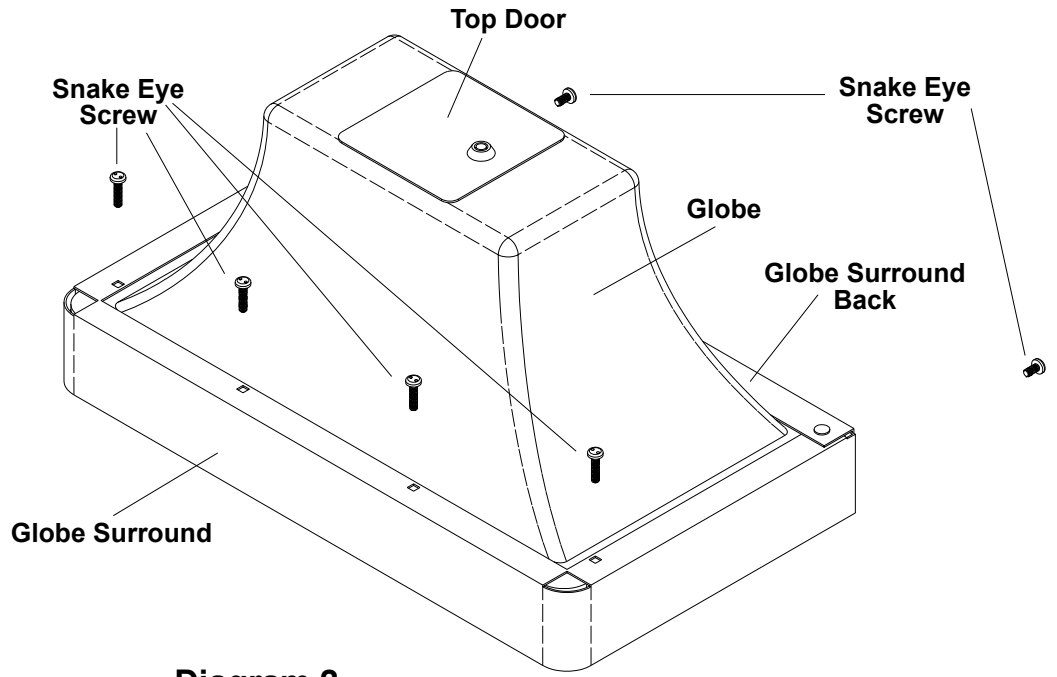


Diagram 2

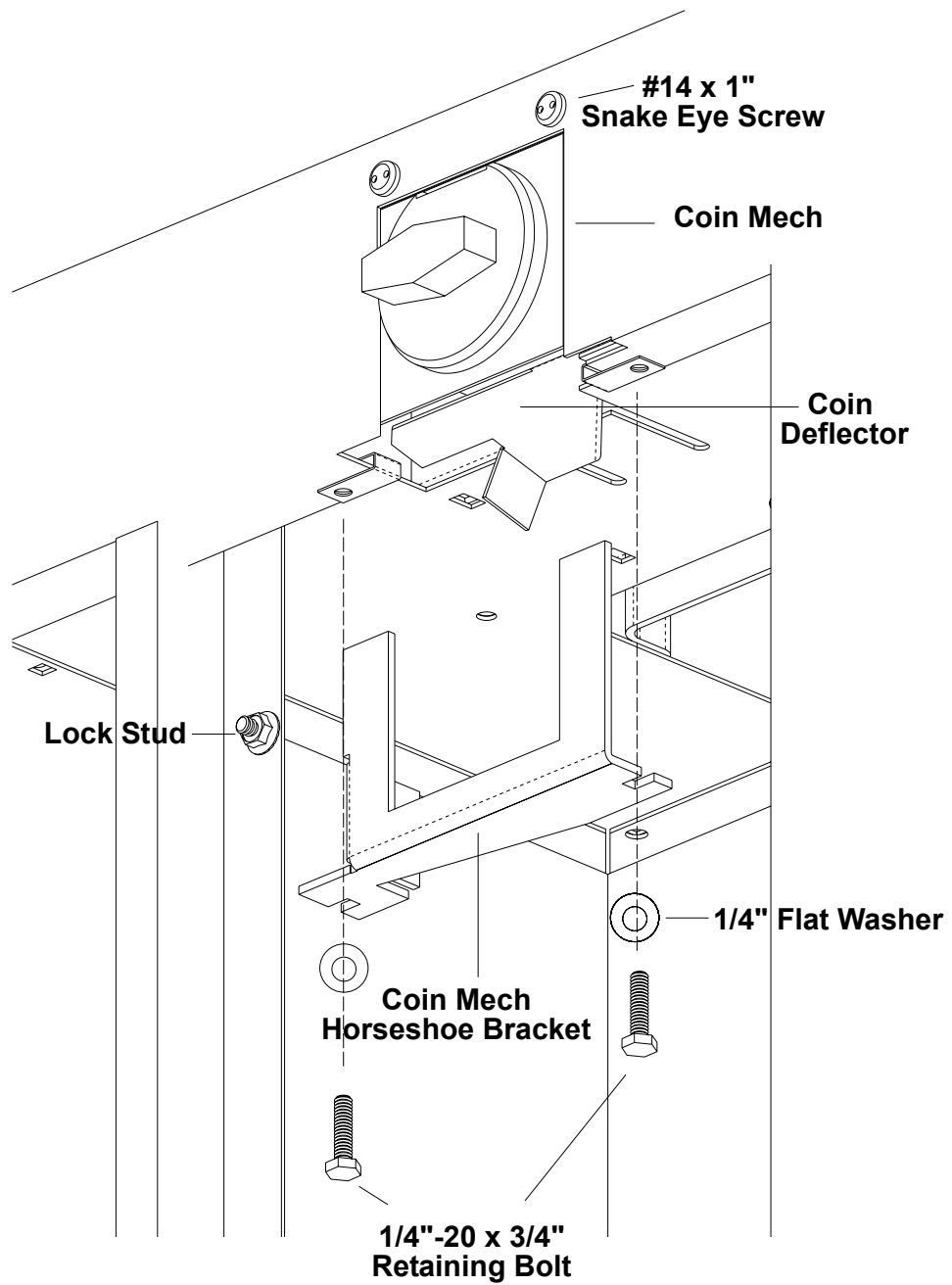


Diagram 3

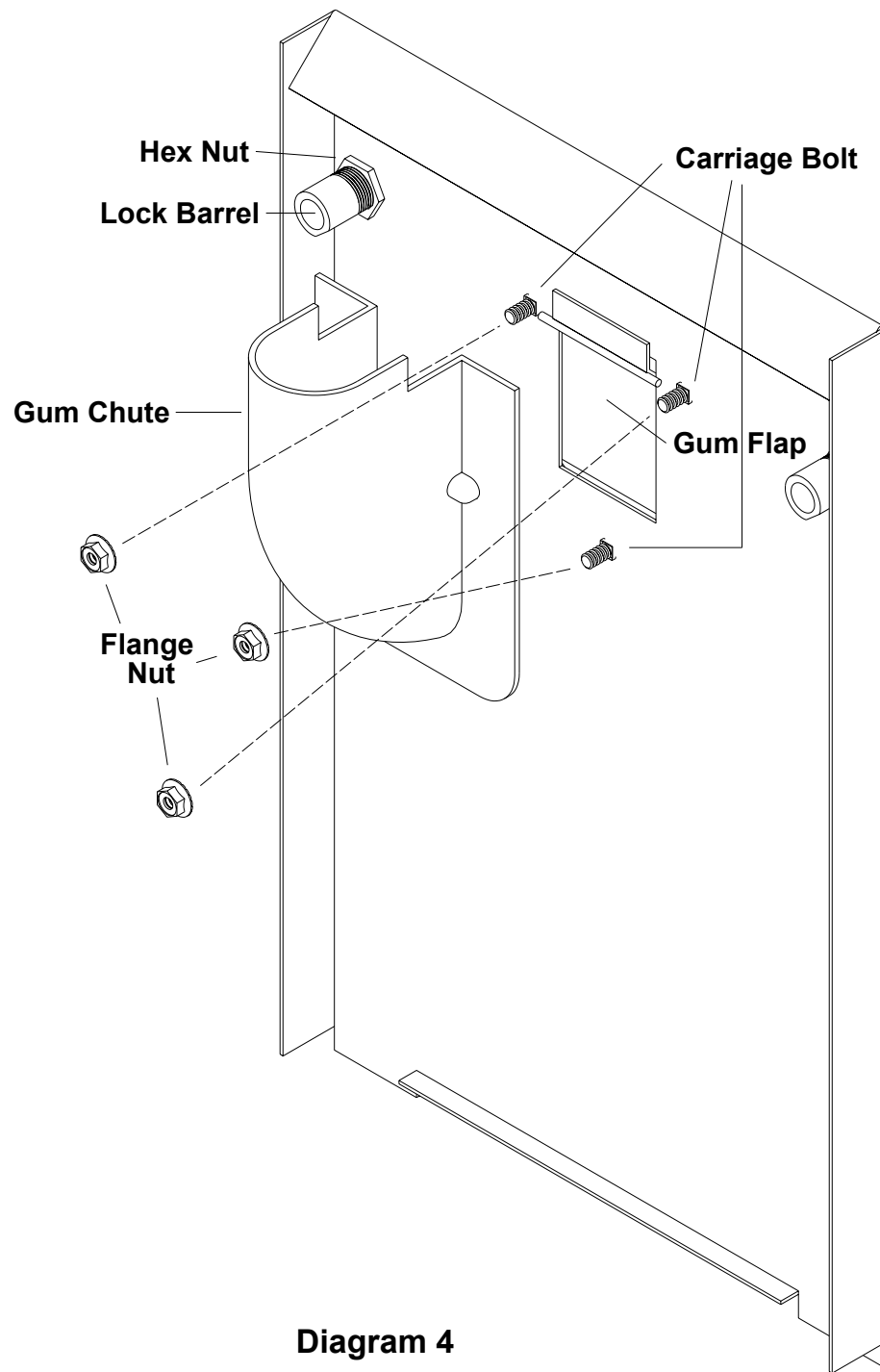


Diagram 4

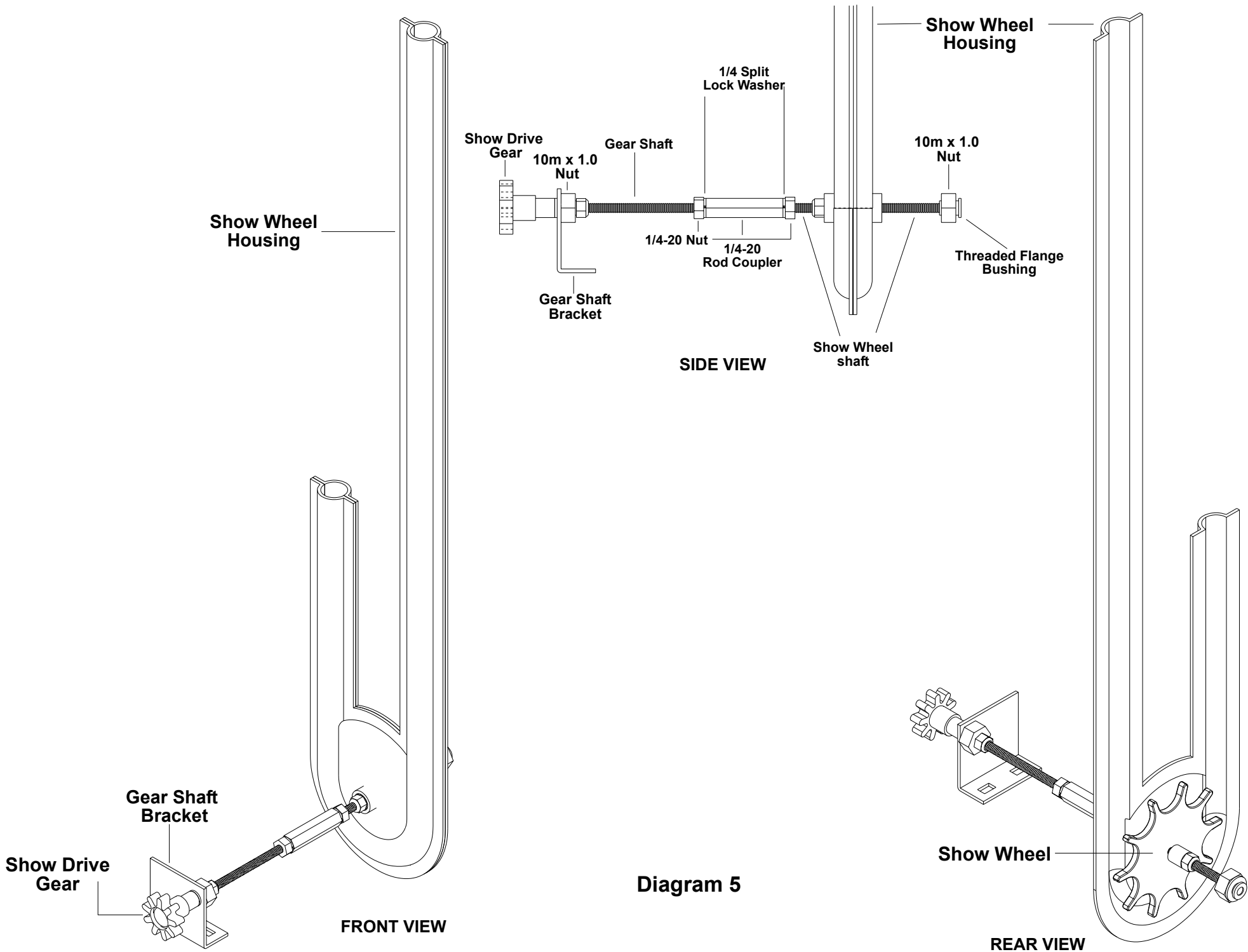
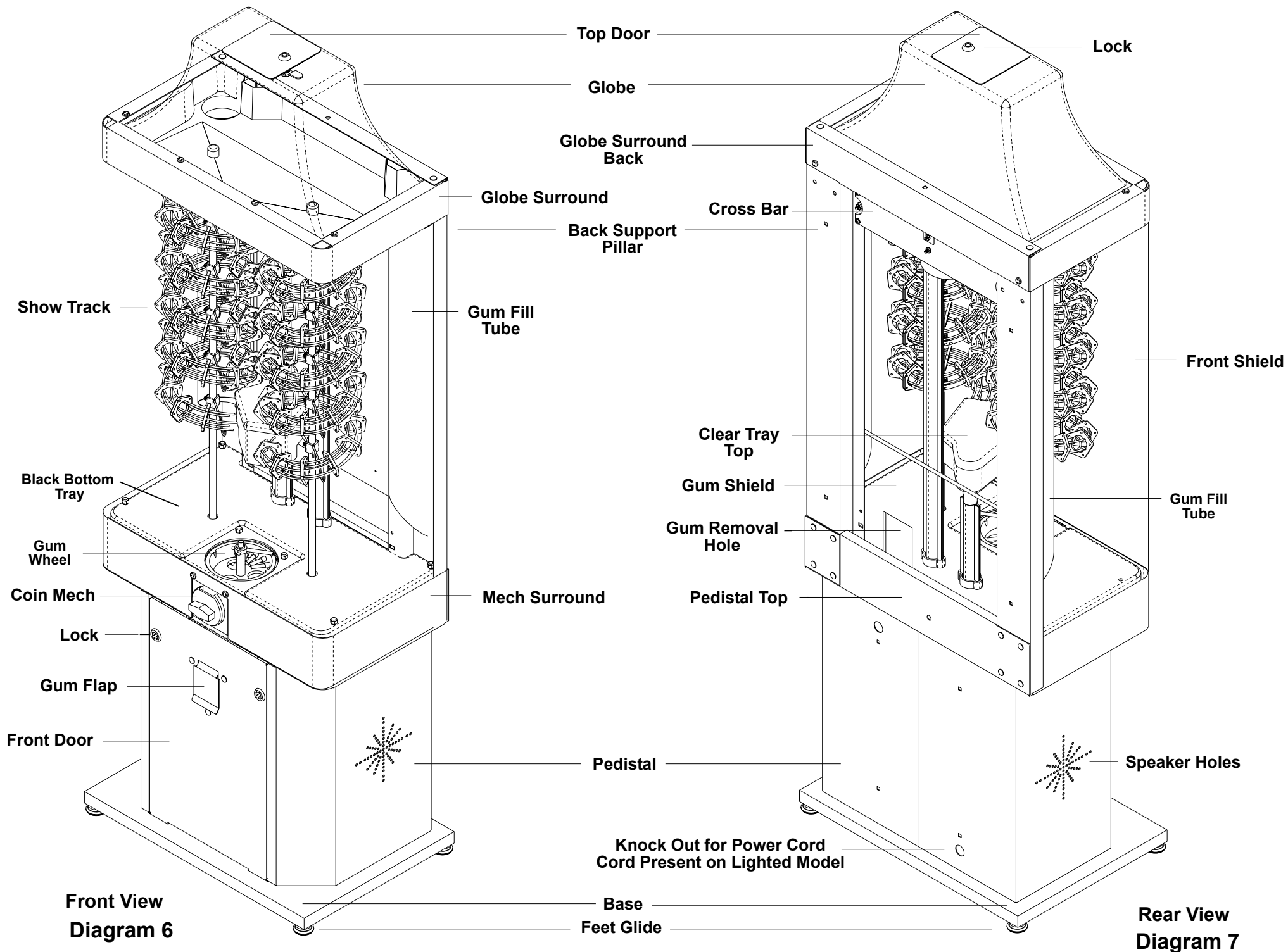


Diagram 5



**Front View
Diagram 6**

**Rear View
Diagram 7**

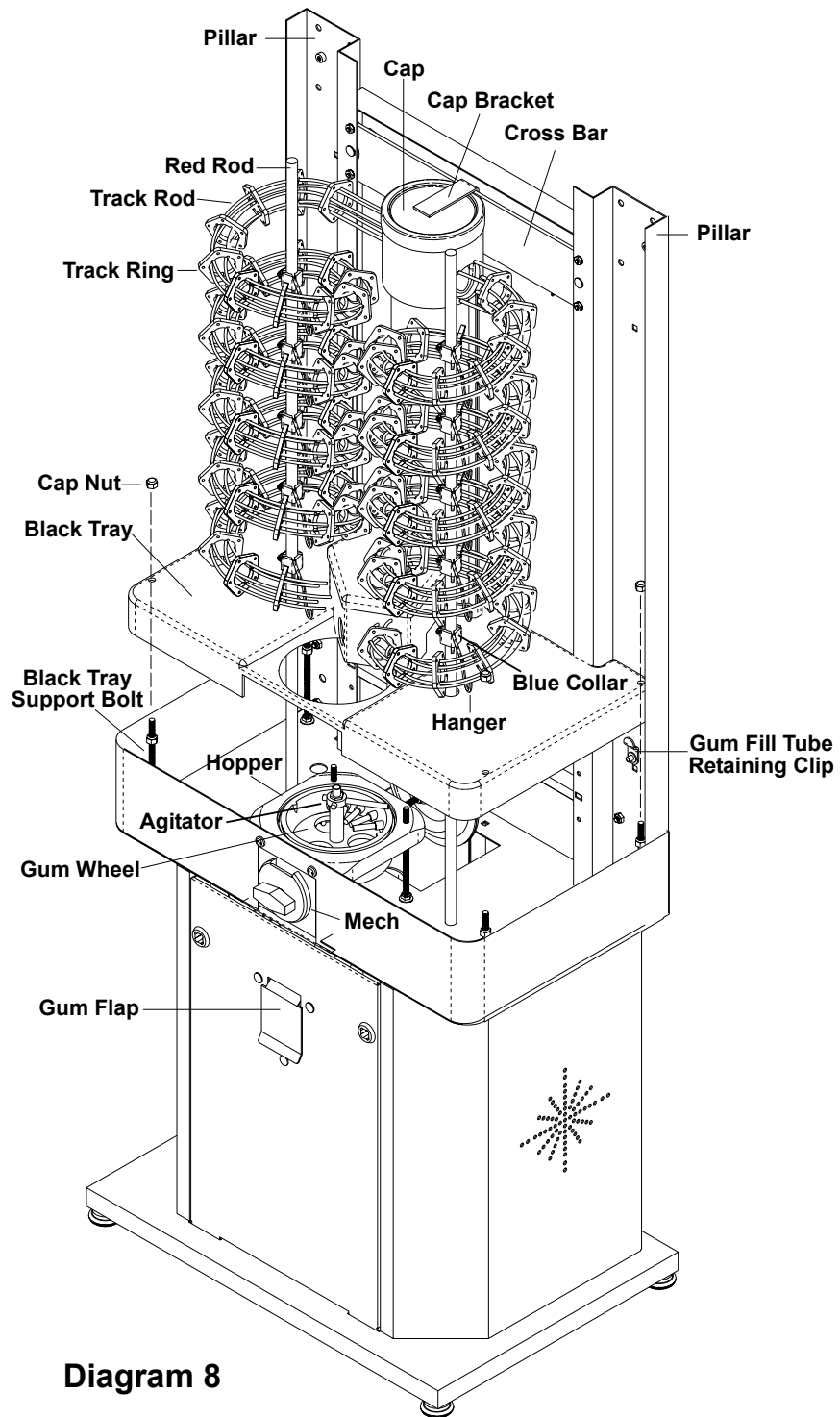


Diagram 8

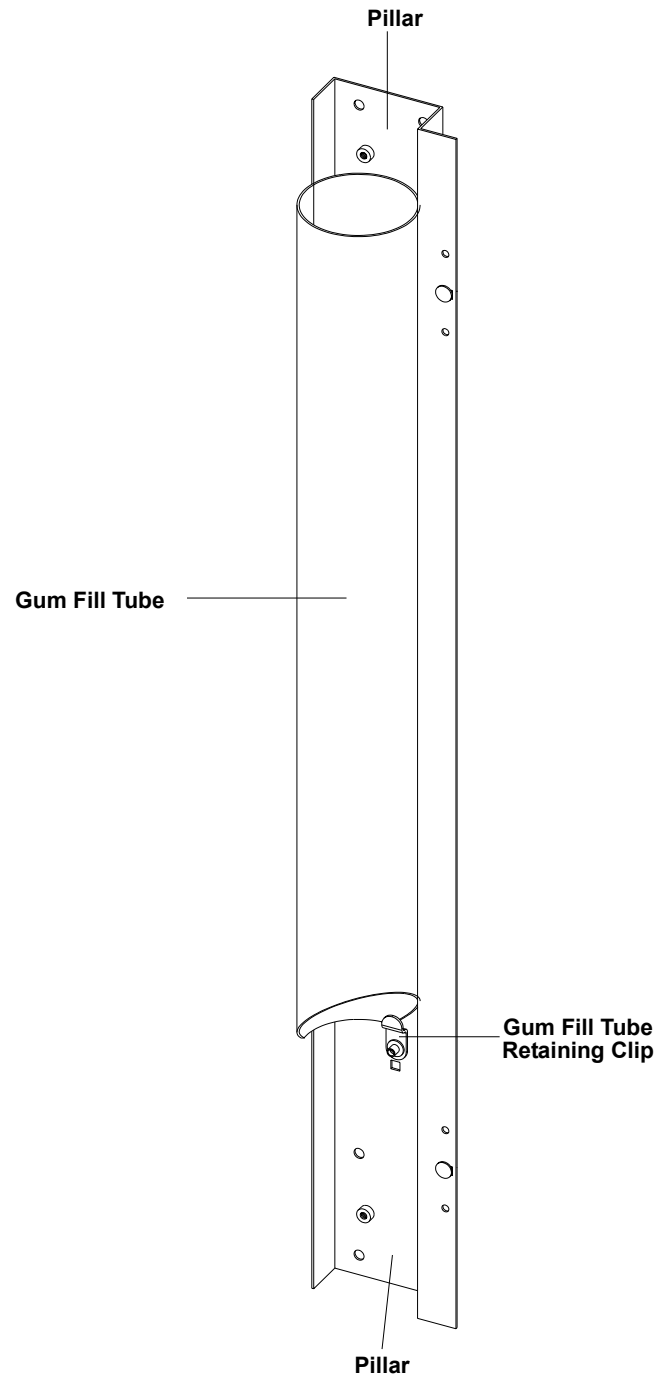


Diagram 9

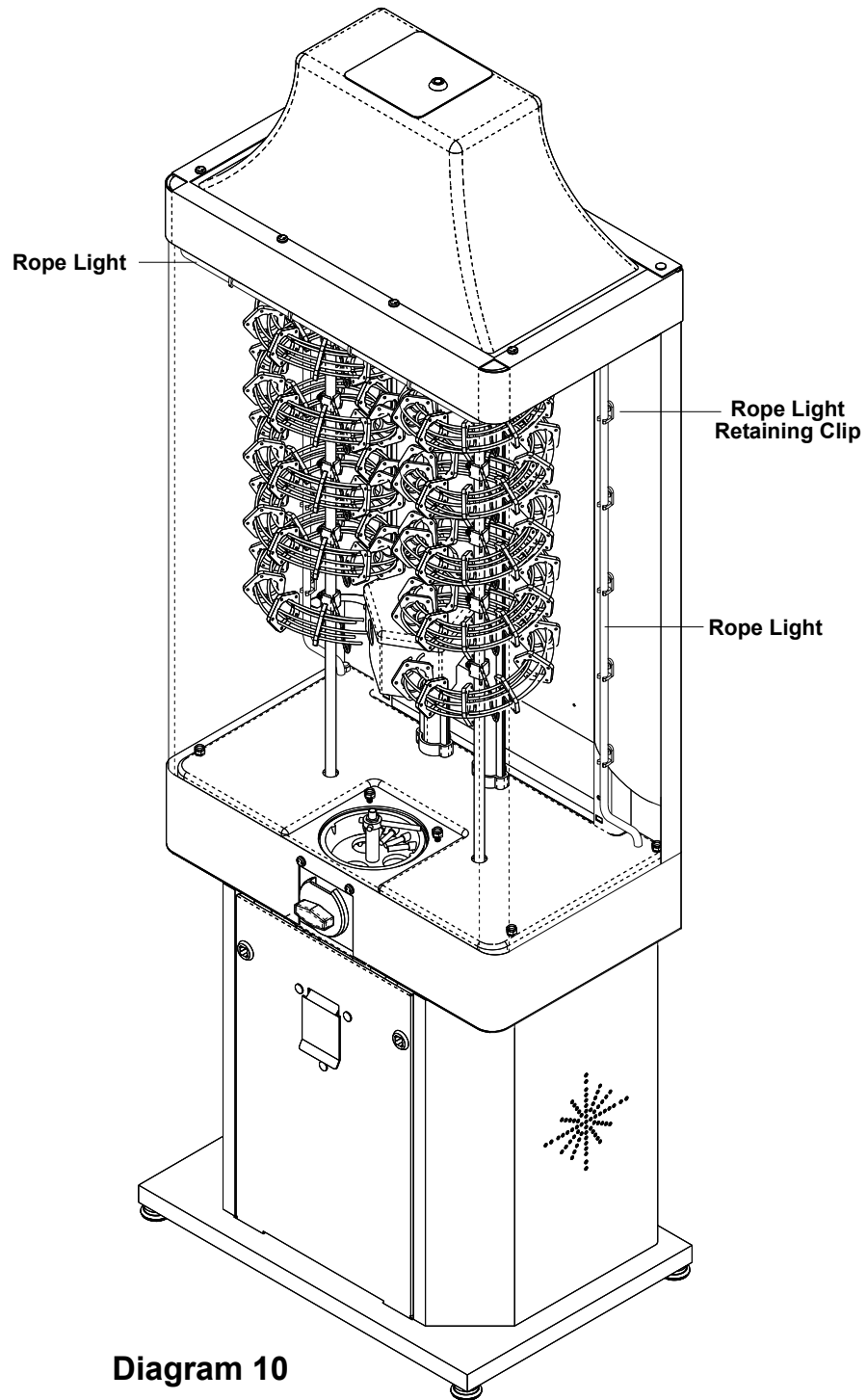


Diagram 10

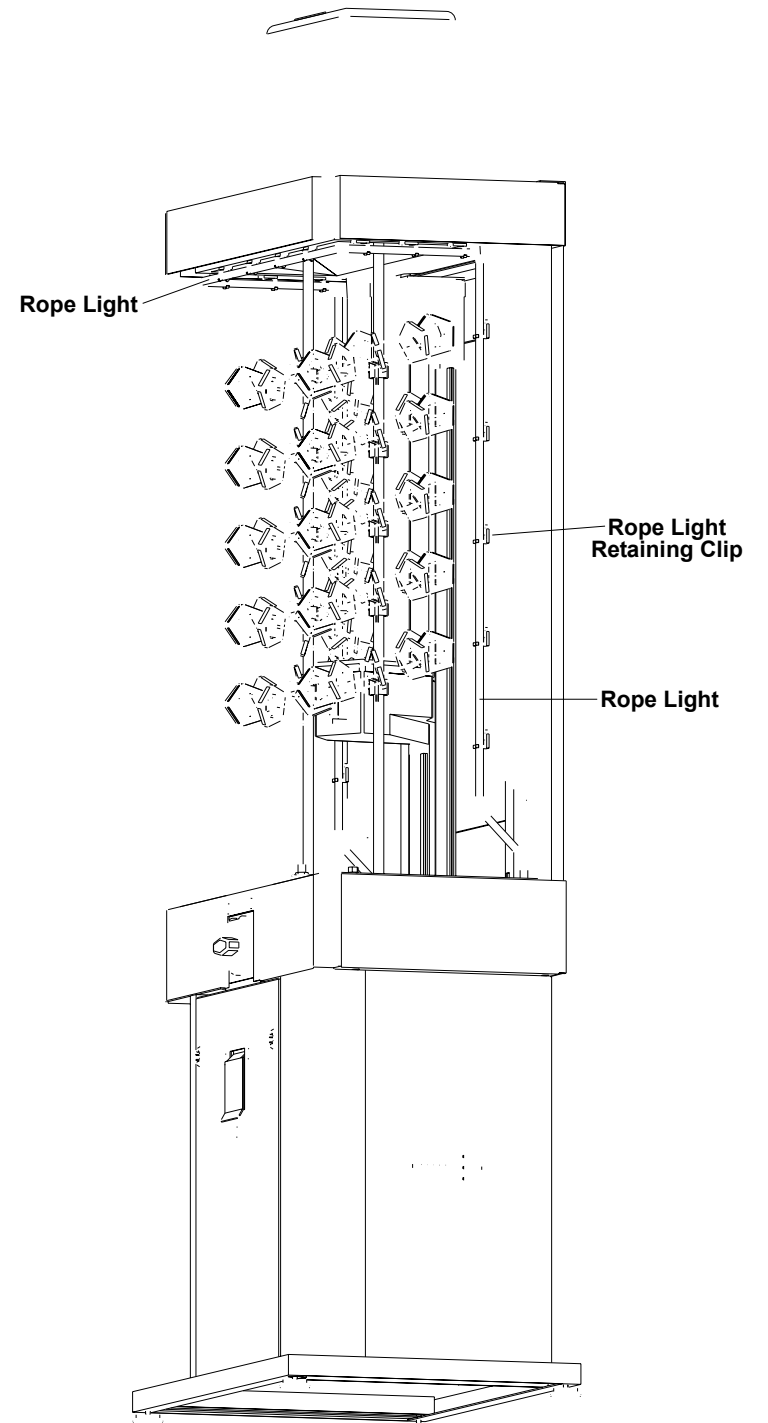
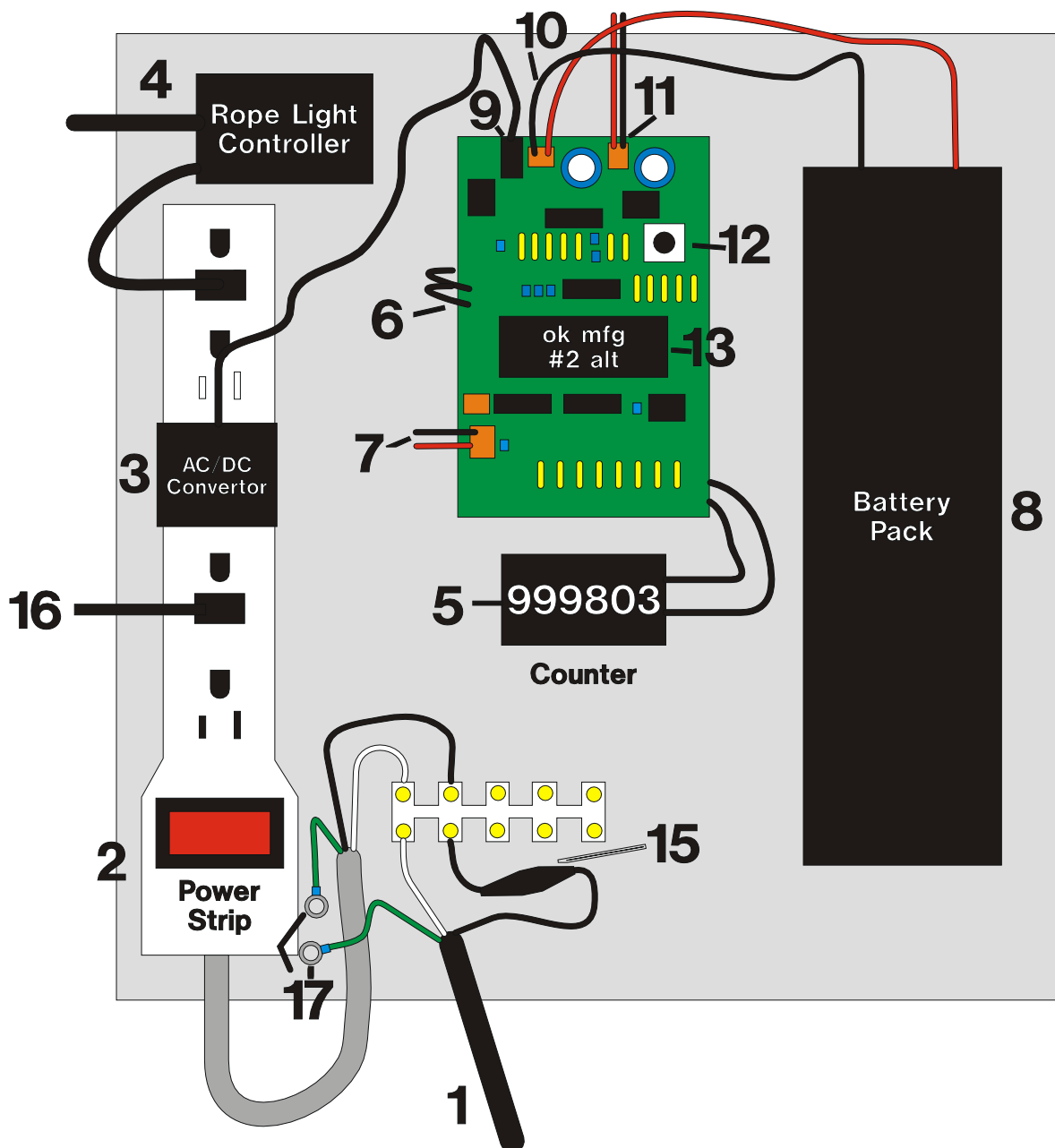


Diagram 11

Circuitry and Sound Board



- | | |
|---------------------------|-----------------------------|
| 1. AC Power In | 6. Counter Wires |
| 2. AC Power Strip | 7. Coin Mech Microswitch In |
| 3. AC/DC Converter | 8. Battery Pack |
| 4. Rope light Controller | 9. AC/DC Plug & Jack |
| Press Button to Change: | 10. Battery Pack Wires In |
| 1. Combination | 11. Speaker Wires Out |
| 2. In Waves | 12. Volume Control |
| 3. Sequential | Up-Clockwise |
| 4. Slo Glo | Down-Counter Clockwise |
| 5. Chasing/Flash | 13. Sound Chip |
| 6. Slow Fade | |
| 7. Twinkle/Flash | 15. AC In-Line Fuse |
| 8. Steady On | 16. Black Light Plug |
| 5. Non-Resettable Counter | 17. Ground Wires |